

VARYFLEX
V2 OMET



CREATE YOUR PLATFORM



CREATING NEW POSSIBILITIES

THE PACKAGE PRINTING PLATFORM

Varyflex V2 is a narrow and mid-web packaging printing press whose core is made of a unique platform concept designed to combine a wide set of printing and finishing technologies for **added-value results** in one single pass.

Varyflex V2 features servo-driven **printing modules**: UV, water base or solvent base flexo units, Offset by sleeves. Movable gravure and rotary screen can be easily combined in unique tailor-made solutions. Diverse **finishing and converting modules** can be integrated in-line to increase the versatility of the press and confer high value to the final product.

TARGET MARKETS

WINE & SPIRITS

HEALTHCARE & COSMETICS

TOBACCO

FOOD & BEVERAGE

HOUSEHOLD

INDUSTRIAL

PHARMA

SECURITY



ONE PLATFORM FOR ENDLESS SOLUTIONS IN PACKAGING PRINTING AND CONVERTING

The Varyflex V2 line holds the authentic concept of mid-web printing platform, **for high performance results in the production of premium labels, flexible packaging**, folding carton and many special applications, on a wide variety of substrates such as plastic films, laminates, aluminum and light carton up to 600 micron.

APPLICATIONS

SELF-ADHESIVE LABELS

LIDS

POUCHES & SACHETS

WET-GLUE LABELS

TAGS & TICKETS

FOLDING CARTONS

MULTI-LAYER LABELS

IML

PAPER CUPS

WRAPAROUND LABELS

FLEXIBLE PACKAGING

BLISTERS

SHRINK SLEEVES

LAMITUBES

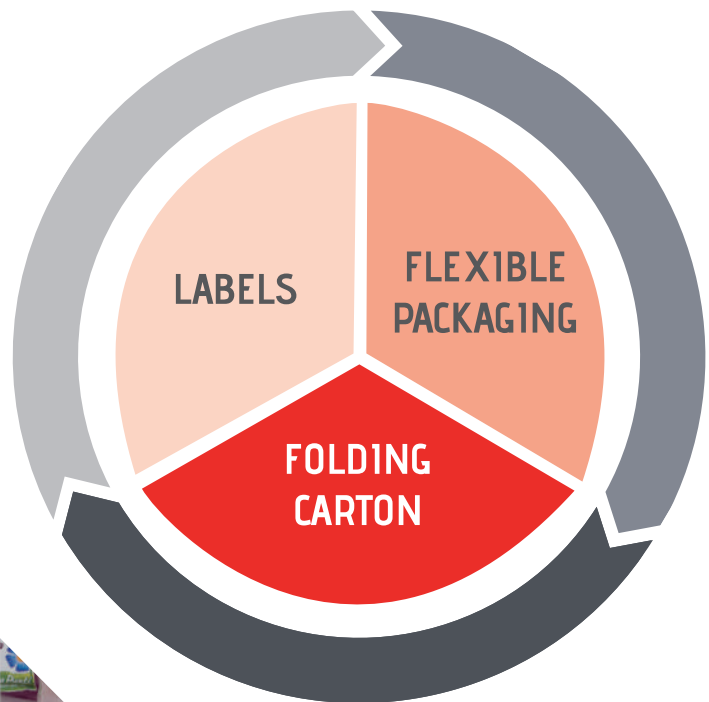
SPECIAL APPLICATIONS



VARYFLEX IS THE ANSWER TO YOUR PACKAGING

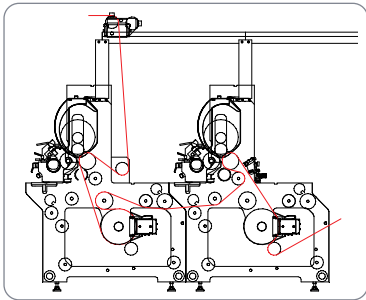
Varyflex V2 modular design allows combining and implementing in-line, with no limitations, **different printing technologies**, as well as **special finishing applications and converting units**, to always get to the final product in one single passage.

Varyflex V2 multi-function technology allows for the extreme customization of each machine configuration, providing the capability to enhance the product portfolio and be competitive in every market sectors.



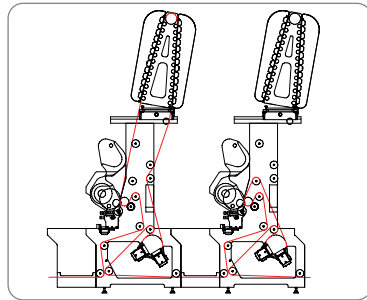
THE HIGHEST EXPRESSION OF FLEXO

OMET Varyflex V2 is the first printing press ever to introduce **100% Gearless Direct-Drive sleeve technology**, which has become the benchmark of the industry and the purest example of real innovation.



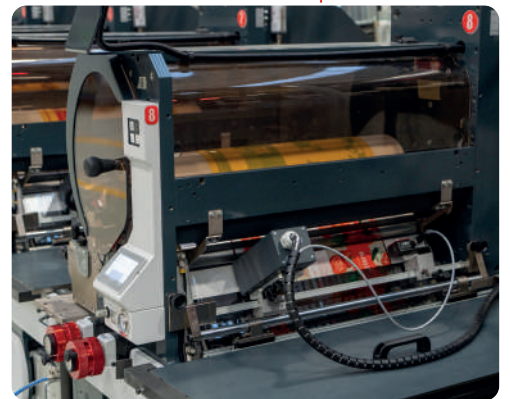
FLEXO CONFIGURATION

UV/UV LED front and reverse



VERTICAL FLEXO CONFIGURATION

Hot Air and dual UV/UV LED



PREMIUM PRINTING QUALITY

Sturdy and extremely precise unit with 3 independent motors on printing mandrel, anilox and impression cylinder to assure the **best tension control and register stability** with any machine configuration.

OMET Gearless technology together with Anti-Bounce capability ensures the **purest quality**, eliminating backlash problems up to the maximum production speeds of 250 m/min.

WIDEST FUNCTIONALITY

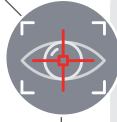
Every flexo unit features **high accessibility and operability**: the inking section is on removable sliding trolley to provide quick cleaning and easy change of anilox roll and doctor blade.

Both vertical and standard flexo groups have the possibility to be configured with different curing systems, UV, UV LED or Hot Air, as well as **special curing combinations** to meet the needs of customised applications.



MAIN FEATURES

ADVANCED AUTOMATION



Automatic printing registration adjustment and control based on a single or multiple camera scanning system. **Vision** and **Multivision systems** can control both machine and cross side of each single printing unit, getting the machine ready to print in no time and drastically reducing the start-up waste.

PLATFORM CONCEPT



Thanks to its complete flexibility, Varyflex V2 can be designed and **configured according to customer's necessities**. It assures the highest flexibility in choosing the most suitable configuration thanks to interchangeable units for UV, water-base and solvent-base flexo printing, rotary silk-screen, rotogravure, cold and hot foil.

MULTI-PROCESS TECHNOLOGY

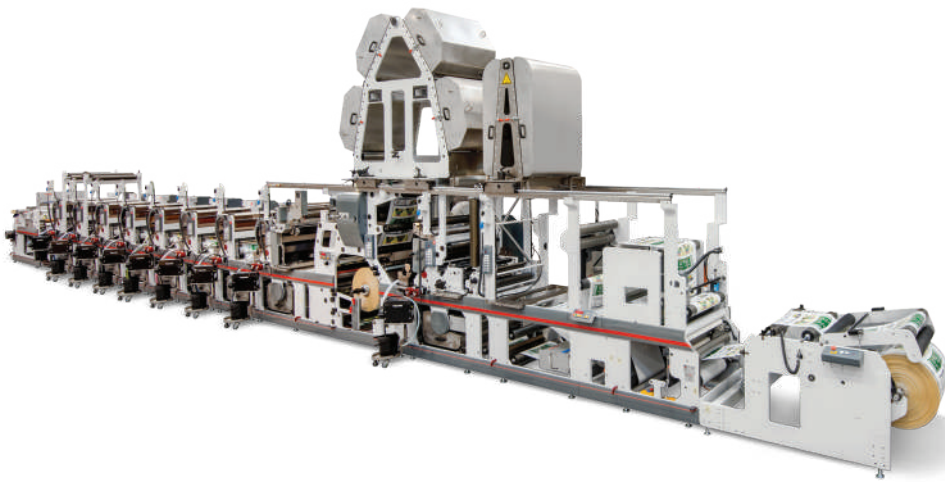


Varyflex V2 **modular design** allows combining and implementing in-line with no limitations different printing technologies, as well as special finishing applications, converting units and final deliveries. You can **get the best out of each technology** and obtain exclusive results without a second pass or any off-line process.



CUSTOMIZED SOLUTIONS

The Varyflex V2 platform responds to customers' most specific needs. It is the only machine on the market whose **configuration is totally developed at the customer's discretion, based on the characteristics of the final application**. OMET has delivered more than 100 different Varyflex machines through the years, with unique peculiarities that made every single press one of a kind, **creating a consistent competitive advantage** on the market.



PRINTING TECHNOLOGIES COMBINATION



FLEXO

Flexography offers **the best balance between high quality output and extreme flexibility on substrates**, inks and curing. Flexo units can be easily integrated with many finishing and converting options and other printing technologies to **create complex hybrid configurations**. Varyflex V2 features modular flexo units that can be configured for **UV or UV LED printing**, for vivid and brilliant output, but also for **water-based and solvent-based printing**, especially required in food.



OFFSET by SLEEVE

The newly designed Offset print unit provides the best performance in the production of **high-end flexible packaging, premium labels and special applications**. Offset is the ideal technology when it comes to print fine details, high quality graphics and when low ink lay-down is required. Thanks to the **patented Sleeve technology and the Easy Sleeve Format Change system**, the offset unit by OMET offers also the benefits of a convenient solution for short and medium runs, providing **lower cost of equipment and quicker changeover time** compared to other printing technologies.



ROTOGRAVURE

The rotogravure unit allows printing consistent solid backgrounds, special metallic inks and insert special finishing applications that would normally require a second pass, carrying out **more packaging processes in one single passage**. The rotogravure unit designed by OMET can be used with a wide range of substrates, from cardboard to labels and it is explosion-proof and compliant with the international standards in use. The group is **movable and ergonomic**, thus can be **inserted in-line in any position or sequence**, according to the production requirements.

FINISHING & CONVERTING



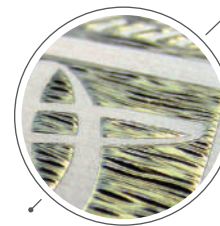
Cold foil

Cold foil unit interchangeable in-between flexo units



Hot Stamping

Rotary or flatbed in-line servo driven hot stamping system for special metallic effects



Converting

Rotary in-line systems for embossing, die-cutting, creasing and sheeting



Varnishing

Extended web path for in-line UV gloss or matte varnish, special coatings and Soft Touch effects



Multi-Layers

In-line lamination of different substrates for the production of multi-layer labels, booklets and coupons



Reverse Printing

Reverse printing capability without the need for turning bar device or special adaptations



Rotary Silk-Screen

Interchangeable unit for high coverage and thick layer printing embellishment for special relief effects



Cold Seal & Hot Melt

In-line Cold Seal and Hot Melt processes used for special glue application mainly in food packaging production



Hologram Transfer

In-line integration for special hologram effects and anti-counterfeiting elements, with foil-saver technology, movable in-between printing units

IN-LINE LAMINATIONS

UV lamination

Solvent-base and water-base lamination

Solventless lamination

M-PET lamination

DRYING & CURING SYSTEMS

Varyflex V2 offers an extensive range of Hot Air drying and UV curing systems suiting any customer's application and necessity, including **extended vertical path** for heavy coatings, **customized dryers** and specific combinations with **single or multiple UV lamps**.

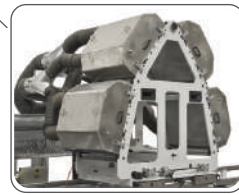
Customers are always guided through the choice for the most suitable drying system:

HOT AIR

I - shape



A - shape



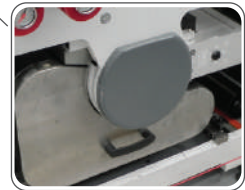
Y - shape



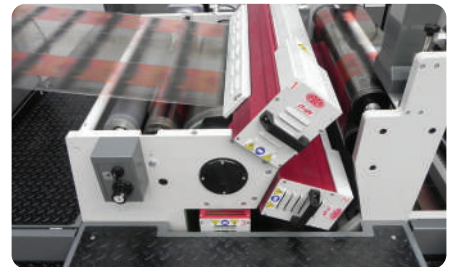
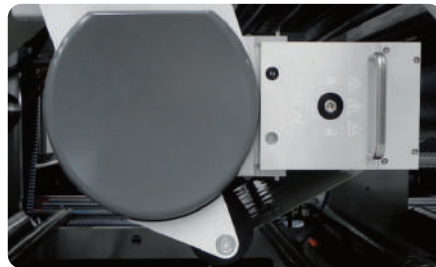
U - shape



L - shape



UV & UV LED



SLITTING & DELIVERY SYSTEMS

Different typologies of slitting systems can be integrated in-line into the converting section: shear cut, pressure cut, razor cut and underscoring assembly, as well as **Flying Cut system**. This variable repeat cross cutting unit features servo driven rotating cylinders that perform a synchronized progressive and accurate shear cut independently from the slitting repeat, increasing productivity in both short and long runs.

Varyflex V2 can be configured with 3 main delivery options: **Roll-to-Roll** as the standard solution, **Roll-to-Blank** for special products like in-mold labels or paper cups and **Roll-to-Sheet**, especially dedicated to paper and cardboard products.

TECHNICAL SPECIFICATIONS

VARYFLEX
OMET

	430	530	670	850
Web width	430 mm (16 7/8")	530 mm (20 7/8")	670 mm (26 3/8")	850 mm (33 4/8")
Print width	420 mm (16 4/8")	520 mm (20 4/8")	660 mm (26")	840 mm (33 1/8")
Max. speed	250 m/min			
Unwinder Ø	1000 mm (40") - 1500 mm (60")			
Rewinder Ø	760 mm (30") - 1000 mm (40") - 1500 (60")			
Infeed/Outfeed	Servo driven - Closed loop			
Printing transmission	Servo			
Printing technology	Sleeves			
Machine and Cross register adjustment	Automatic			
Register control	Automatic			

AVAILABLE PRINTING TECHNOLOGIES

Flexo UV - WB - SB	11" 4/8 - 33"	11" 4/8 - 33"	11" 4/8 - 33"	14" - 33"
Offset by Sleeve			16" - 32"	16" - 32"
Rotary Silk-Screen	12" - 25"	12" - 25"	16" - 33"	16" - 33"
Rotogravure (movable)	12" - 26"	15" - 26"	15" - 26"	17" - 26"

AVAILABLE DIE-CUTTING UNITS

Label die-cutting station	12" - 24"	16" - 24"	22" - 32"	
Carton die-cutting station	18" - 32"	20" - 32"	24" - 32"	
Flying Cut	6" - 33"	6" - 33"	6" - 33"	6" - 33"

OMET reserves the right to change machine specifications at any time.



INNOVATION WITH PASSION



victorycommunication.it

OMET srl

Via Puccini, 15
23847 Molteno (LC), ITALY
Tel. +39 031 0741000
www.printing.omet.com

OMET WORLDWIDE



OMET Americas Inc
1850 S Elmhurst Road
Mount Prospect, IL 60056 USA
Tel. +1 847 621 2369
sales@ometamericasinc.com
www.ometamericasinc.com



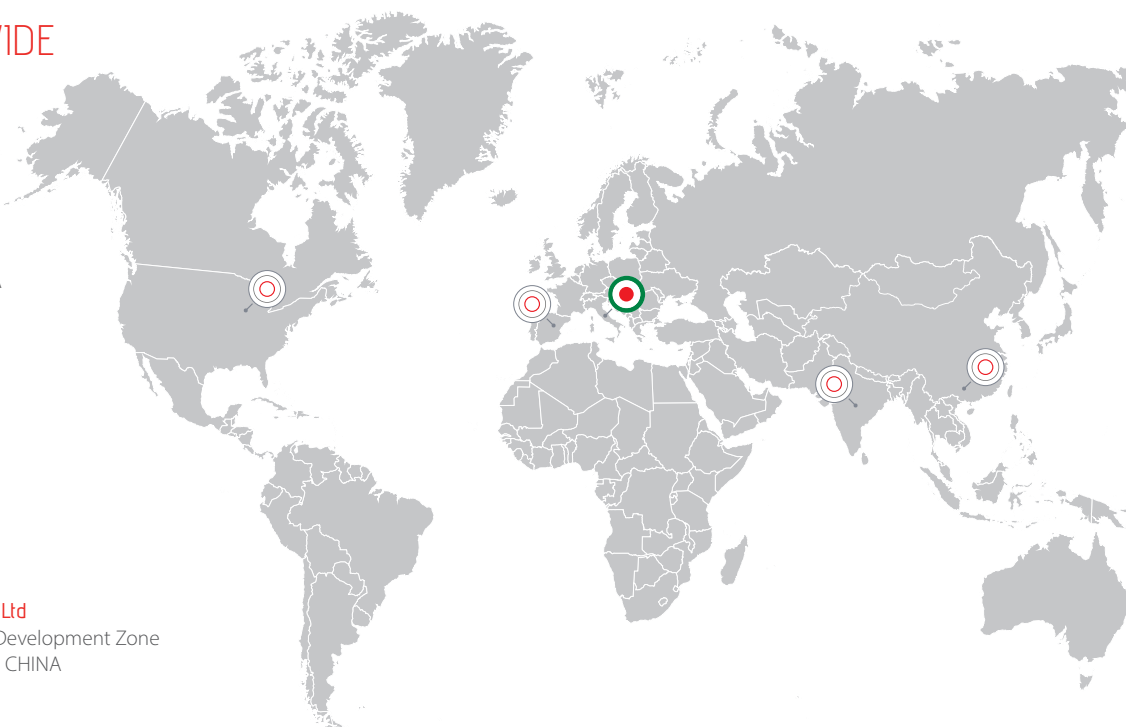
OMET Ibérica I&C S.I.
Calle Provenza, 196
08036 Barcellona SPAIN
Tel. +34 66 9789946
Fax +34 93 4907740
ometiberica@terra.es




OMET (Suzhou) Mechanical Co Ltd
N.255 Quande Rd, Economic Development Zone
215200 Wujiang City (Jiangsu) CHINA
Tel. +86 512 63033668
admin@omet.cn
www.omet.cn



OMET India
9th floor, Tower B SAS Tower
Sector 38 Gurgaon-122001 New Delhi INDIA
pawandeep.sahni@ometindia.com



facebook.com/OMETSrl 
it.linkedin.com/company/OMETSrl 
youtube.com/user/OMETcompany 